



SP-48V105-GC LITHIUM (LIFEPO4) GOLF CART BATTERY

General

Model:	SP-48V105-GC	
Voltage:	51.2V	
Nominal Capacity:	105Ah	
Case:	Metal/FR	
Battery:	Deep-cycle Lithium Iron Phosphate	
Color:	Black	
Cycle life:	1C @ DOD 100%	≥3500 CYCLES
	0.2C @ DOD 100%	≥6000 CYCLES
Intelligence:	Microprocessors, SOC algorithm with charge and discharge end Calibration, Current sensor, Fuse, CAN Bus	

Physical

Battery Type:	Lithium Iron Phosphate
Rated Capacity:	105Ah
Nominal Voltage:	51.2V (16S)
Standard Charge Voltage:	58.4V
Stored Energy:	(5376Wh)
IP Protection Level:	IP67
Battery Weight:	102 LBS (46.3KG)
Battery Life:	10-12 Years
BMS:	250A
Communications	CAN / Bluetooth
Charger:	15-50A (Optional)
Impedence:	≤30mΩ

Current

Battery Pack Factory SOC:	50%
Battery SOC Operating Range:	0-100%
BMS Consumption:	Self-consumption current in sleep mode: <800uA Self-consumption current during operation: <35mA
Temperature Acquisition Accuracy:	≤2° (at room temperature)
Current Acquisition Accuracy:	≤±15mV
Equalizing Current:	30±10mA (Passive equalization)
Protect Function:	Over-current protection, over-charge protection, over-discharge protection, high and low-temperature protection, and abnormal alarm function.

Charge / Discharge

Charging method:	CC-CV
Charge Current:	Normal 30A and Max 100A
Cut-off voltage:	40V
MAX. Continuous Discharge Current:	250A (BMS)
Peak Discharge Current:	600A @3S
Self-discharge rate/month:	≤3%/Month

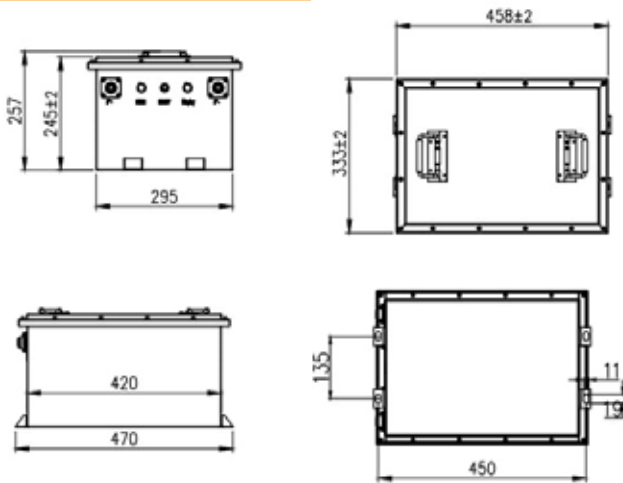
Temperature

Operating temperature Range A column temperature:		
Charge method	Charge	0~55°C
	Discharge	-20~60°C
Storage environment	Temperature	10~45°C
	Humidity	≤ 75%RH

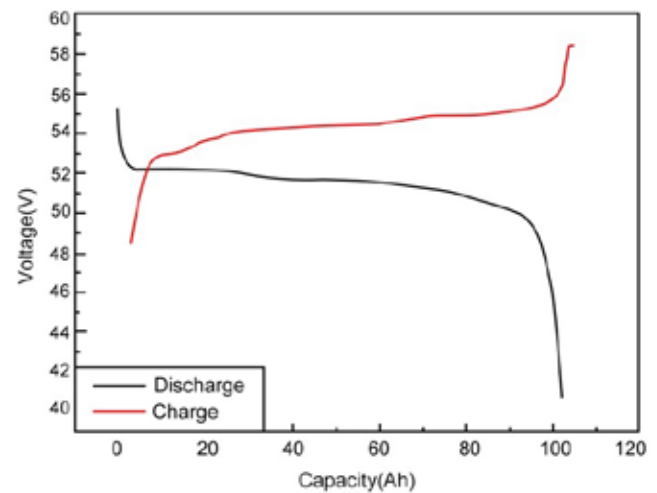
SP-48V105-GC LITHIUM (LIFEPO4) GOLF CART BATTERY

Dimensional

Battery Dimensions: (L x W x H) 18.5" x 13.11" x 10.12"
(470 x 333 x 257mm)



Voltage Curve:



Sonny Power Golf Cart LiFePO4 Battery Advantages:

- 1 TOP BRAND Grade A Cell, Encased in Aluminum:**
 - Provides dimensional stability.
 - Up to 10 years of design life and over 3,500 cycles.
- 2 Steel Battery Bracket:**
 - Provides vibration and shock resistance.
- 3 Bolted Connections to BMS:**
 - Provides stable mechanical and electrical connections.
- 4 Positive and Negative Bus Bar:**
 - Soft connection copper bar.
 - Stronger connection to ensure safer and more stable battery overcurrent.
- 5 IP67 Rated Casing:**
 - Seamless enclosure, no water or dust ingress.
- 6 250A Big Current (BMS):**
 - Strong capability for climbing and acceleration.
- 7 Strong Compatibility:**
 - It can be used for E-Z-GO, Yamaha, Club Car, and other popular golf cart brands.
- 8 High Insulation Performance:**
 - It contains insulation tube sleeves for cables and an epoxy board for the battery module to ensure the safety of the battery.
- 9 Bluetooth Function:**
 - 5.0 Bluetooth ensures longer distance monitoring.